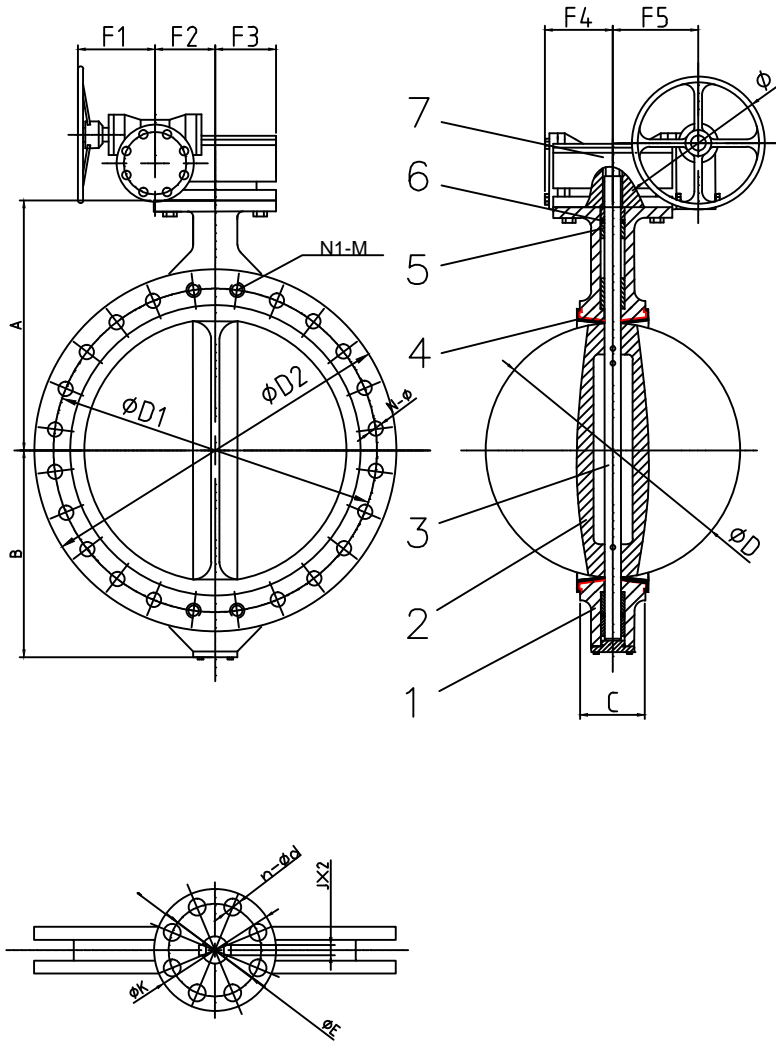


The list about dimension for U type butterfly valve	
Technical specification	
Design Standard	API609
Face to Face	API609 MSS-67-1995, ANSIB16.1
Flange Standard	ANSI 125/150 DIN2501 PN10/PN16
Connection Manner	Wafer Connection
Inspection and Test	GB13927, API598
Nominal Pressure	1.0Mpa, 1.6Mpa, 150Lb
Model of Driving	Hand, electrically-driven, air-operated and so on model of operation

Item	Parts Name	Material	Standard
1	Body	GG25	A126B
		GGG40	A536
		WCB	A216
2	Disc	GGG40	A536
		CF8	A351
		CF8M	A351
3	Stem	SS416	A276
		SS431	A276
		SS304	A276
4	Seat	EPDM	ASTM D20004
		NBR	BRS20
		VITON	B14E014 EG34
5	Bushing	PTFE	ASTMB438
		C954	B148
6	O-Ring	EPDM	ASTM
		NBR	D20004
		VITON	



Dimension of Body Construction

28"	DN700	624	520	163	695	63.35	100	300	254	8-18	18	165	162	189	183	244	300
30"	DN750	660	539	167	745	63.35	110	300	254	8-18	18	165	162	189	183	244	300
32"	DN800	672	591	188	795.4	63.35	110	300	254	8-18	18	165	162	189	183	244	300
36"	DN900	720	656	203	865	75	118	300	254	8-18	20	215	196	220	215	270	300
40"	DN1000	800	721	216	965	85	142	300	254	8-18	20	215	196	220	215	270	300
48"	DN1200	940.7	844.1	276	1163	105	154	350	298	8-22	28	215	295	214	310	458	300
SIZE		A	B	C	φD	φd0	L	φK	φE	n-φd	> &	F1	F2	F3	F4	F5	φ

Dimension of Connection

28"	DN700	895	840	4-M27	20-30	910	840	4-M33	20-36	927	863.6	24-35.1	4-1.1/4"	423
30"	DN750	960	900	4-M30	20-33	970	900	4-M33	20-36	984	914.5	24-35.1	4-1.1/4"	505
32"	DN800	1015	950	4-M30	20-33	1025	950	4-M36	20-39	1050	977.9	24-41.1	4-1.1/2"	592
36"	DN900	1115	1050	4-M30	24-33	1125	1050	4-M36	24-39	1168	1085.8	28-41.1	4-1.1/2"	975.8
40"	DN1000	1230	1160	4-M33	24-36	1255	1170	4-M39	24-42	1255	1200.2	32-41.1	4-1.1/2"	1036.8
48"	DN1200	1455	1380	4-M36	28-39	1485	1390	4-M45	28-48	1511.3	1422	40-41.1	4-1.1/2"	1746
SIZE		φD2	φD1	N1-M	N-φ	φD2	φD1	N1-M	N-φ	φD2	φD1	N-φ	N1-M(UNC)	G.O. (KG)
		DIN PN10			DIN PN16			ANSI 150				Weight(Kg) G.O		