

New type

Resilient Gate Valve

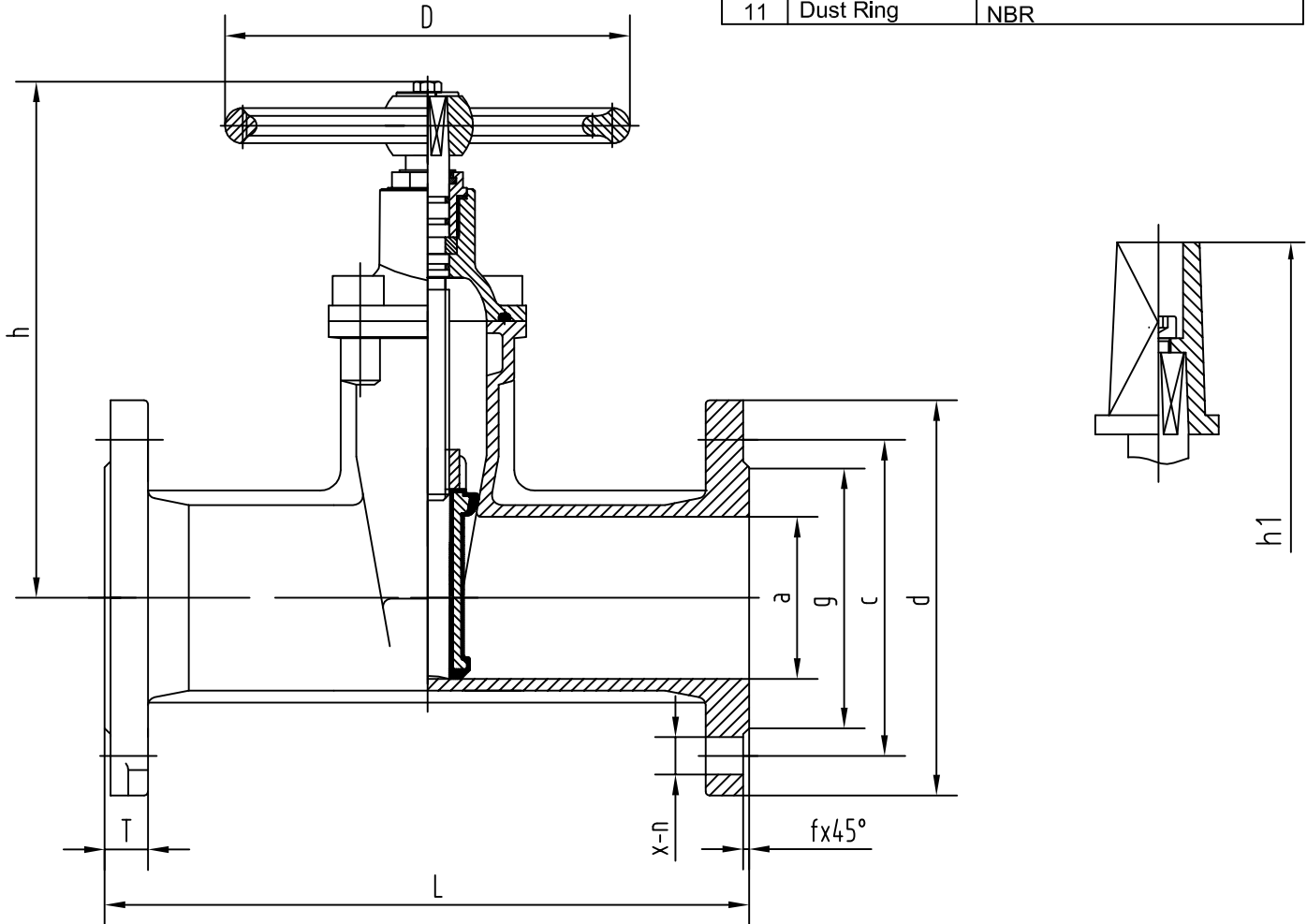
DIN3352 F5

SPECIFICATIONS

Size	DN 40 - 300
Class	PN 10 - PN 16
Design	DIN 3352
Face to Face	DIN 3202 F5 / ISO 5752 15 Series
End Flange	DIN 2532-2533 / BS EN 1092
Test	DIN 3230

STANDARD MATERIALS OF MAIN PARTS

ITEM	PART NAME	MATERIAL
1	Body	Ductile Iron
2	Disc	Ductile Iron+NBR / EPDM
3	Bonnet	Ductile Iron
4	Stem	Stainless Steel 420/431/316
5	Stem Nut	Brass
6	Holding Ring	Brass
7	Sealing Ring	Brass
8	Handwheel	Ductile Iron
9	Bonnet Gasket	NBR/EPDM
10	O Ring	NBR
11	Dust Ring	NBR



DIMENSIONS AND WEIGHTS

DN	OUTLINE mm				END FLANGE DIN PN10/16 mm								
	L	h	D	h1	a	d	c	x-n	T	g	f		
40	240	190	150	235	40	150	110	4- ϕ 19	19	84	3		
50	250	205	150	250	50	165	125	4- ϕ 19	19	99	3		
65	270	228	150	275	65	185	145	4- ϕ 19	19	118	3		
80	280	265	180	310	80	200	160	8- ϕ 19	19	132	3		
100	300	300	205	345	100	220	180	8- ϕ 19	19	156	3		
125	325	355	205	400	125	250	210	8- ϕ 19	19	184	3		
150	350	400	240	445	150	285	240	8- ϕ 23	19	211	3		
200	400	490	280	545	200	340	295	8- ϕ 23 12- ϕ 23	20	266	3		
250	450	585	320	640	250	395	405	350	355	12- ϕ 23 12- ϕ 28	22	319	3
300	500	685	360	740	300	445	460	400	410	12- ϕ 23 12- ϕ 28	24.5	370	4