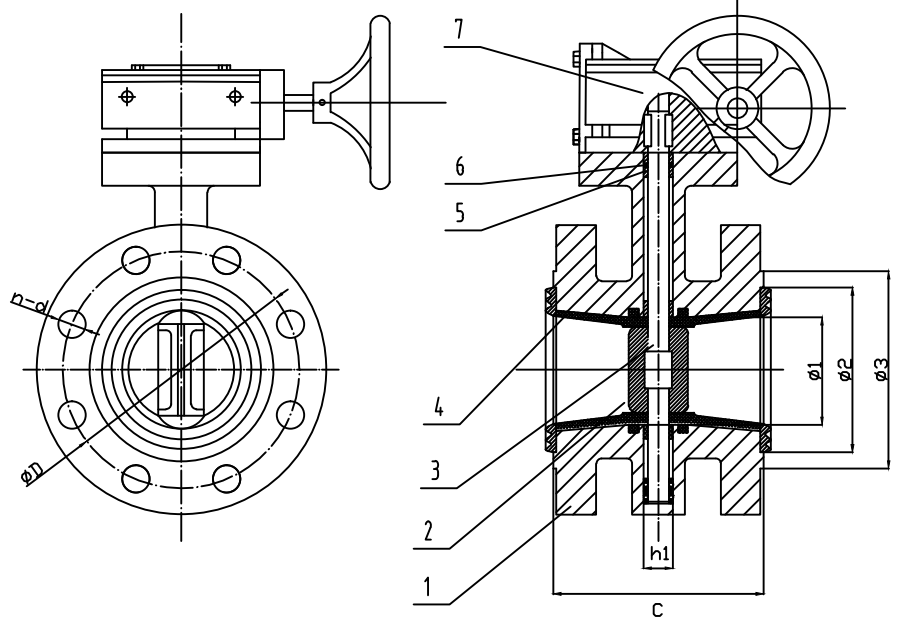
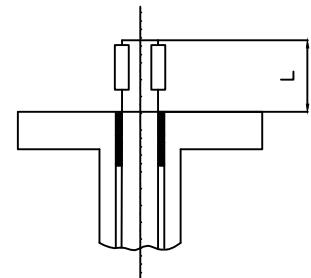
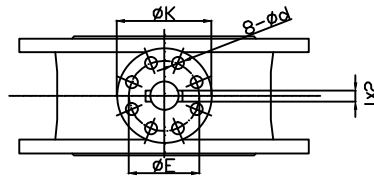


The list about dimension for Middle line flange butterfly valve	
Technical specification	
Design Standard	API609
Face to Face	API609 MSS-67-1995,ANSIB16.1
Flange Standard	ANSI 125/150 DIN2501 PN10/PN16
Connection Manner	Wafer Connection
Inspection and Test	API598
Nominal Pressure	1.0Mpa, 1.6Mpa, 150Lb
Model of Driving	Hand, electrically-driven, air-operated and so on model of operation



Item	Parts Name	Material	Standard
1	Body	GG25	A126B
		GGG40	A536
		WCB	A216
2	Disc	GGG40	A536
		CF8	A351
		CF8M	A351
3	Stem	SS416	A276
		SS431	A276
		SS304	A276
4	Seat	EPDM	ASTM D20004
		NBR	BK520
		VITON	B14E014 E034
5	Bushing	PTFE	ASTMB438
		C954	B148
6	O-Ring	EPDM	ASTM
		NBR	D20004
		VITON	
7	Gear Box	Assembling	A536 (Gear)



Dimension of Body Construction

28"	DN700	702	770	292	300	254	69.9	100	18X2	439.5
32"	DN800	813	880	318	300	254	69.9	110	18X2	585
36"	DN900	873.5	961	330	300	254	84.9	118	20X2	750
40"	DN1000	986.5	1088	410	300	254	95	142	22X2	966
48"	DN1200	1187	1271	470	350	298	115	154	28X2	1544
SIZE		ø1	ø2	C	øK	øE	h1	L	JX2	Weight(Kg) G.0

Dimension of Connection

28"	DN700	800	8-18	840	24-31	795	8-18	840	24-37	800.1	8-18	863.6	28-35.1
32"	DN800	905	8-18	950	24-34	900	8-18	950	24-40	914.4	8-18	977.9	28-41.1
36"	DN900	1005	8-18	1050	28-34	1000	8-18	1050	28-40	1022.3	8-18	1085.8	32-41.1
40"	DN1000	1110	8-18	1160	28-37	1115	8-18	1170	28-43	1123.9	8-18	1200.2	36-41.1
48"	DN1200	1330	8-20	1380	32-40	1330	8-22	1390	32-48	1358.9	8-22	1422	44-41.1
SIZE		ø3	8-ød	øD	n-d	ø3	8-ød	øD	n-d	ø3	8-ød	øD	n-d
		DIN PN10				DIN PN16				ANSI150			