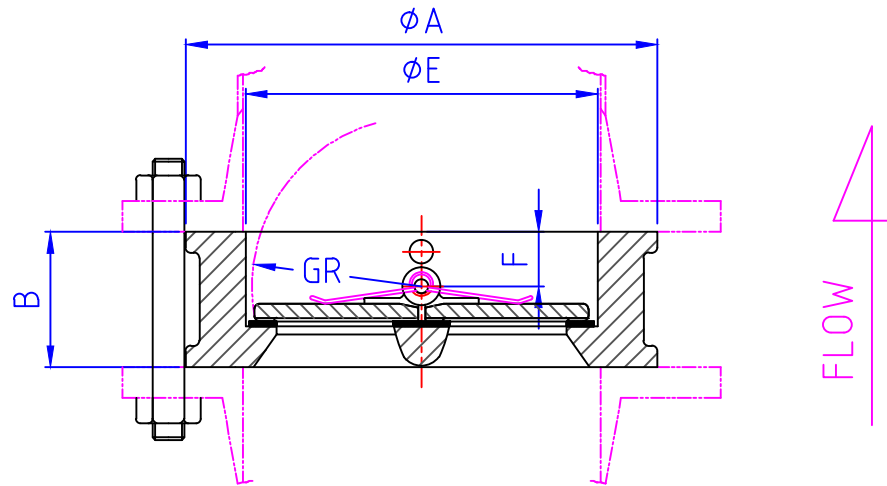


	DIN PN10/16	ANSI 125/150	AS D/E	JIS 10/16K	BS4504 PN10/16	BS 10D/E	GB PN10/16						DIN PN 6
SIZE	ϕA	ϕA	ϕA	ϕA	ϕA	ϕA	ϕA	B	ϕE	F	GR	REMARK	ϕA
2"	107	102	97	101	107	97	107	43	65	19	28.8		98
2-1/2"	127	121	109	121	127	109	127	46	80	20	36.1		116
3"	142	134	128	131	142	128	142	64	94	28	43.4		132
4"	162	171	160	156	162	160	162	64	117	27	52.8		152
5"	192	193	192	187	192	192	192	70	145	30	65.7		182
6"	218	219	213	217	218	213	218	76	170	31	78.6		207
8"	273	276	270	267	273	270	273	89	224	33	104.4		262
10"	328	336	333	330	328	333	328	114	265	50	127		317
12"	378	406	380	375	378	380	378	114	310	43	148.3		373
14"	438	448	444	420/447	438	444	438	127	360	45	172.4		423
16"	489	511	495	483/507	489	495	489	140	410	52	197.4		473
18"	539/555	546	558	538/572	539/555	558	539/555	152	450	58	217.8		523
20"	594/617	603	615	593/627	594/617	615	594/617	152	505	58	241		578
24"	695/734	714	723	697/731	695/734	723	695/734	178	624	73	295.4		679
28"	820	828	-	-	820	814	820	229	720	98	338.5		784
32"	915	936	-	-	915	-	915	241	825	100	385.5		890
36"	1015	1044	-	-	1015	-	1015	241	927	100	455.5		990



TEST PRESSURE	HYDROSTATIC	SHELL	SEAL
	AIR	24 kg/cm ²	1.76 kg/cm ²
STANDARD	DESIGN CODE		
	INSPECTION & TEST		
	END STANDARD		
	FACE TO FACE		
TITLE : DUAL PLATE WAFER TYPE CHECK VALVE			
APPROVED		DWG NO.	REV
CHECKED			
DRAWN			
DESIGNED		SCALE	UNIT mm
SIGNATURE:			